



Firestop Pipe Collars

Firestop solution for plastic pipework penetrations

As part of the comprehensive Firepro range of fire protection products, Rockwool Corofil Firestop Pipe Collars provide a simple and effective method of firestopping plastic pipework where it passes through compartment walls and floors in a retro fit situation.

Tested to BS476 Part 20, Firestop Pipe Collars will provide up to 4 hours fire protection.

Advantages

- Simple to install
- Water resistant
- Maintenance free
- Available to suit pipe sizes ranging from 55 to 355mm O.D.
- Available from order in 48 hours

Description

Firestop Pipe Collars consist of a powder coated steel sleeve containing a flexible graphite based intumescent liner manufactured to suit the pipework to be firestopped. Integral toggles are opened up and the collar is simply fitted around the plastic pipe.

The toggles are closed and the collar is pushed flush to the surface of the wall or underside of floor. The collar is then securely fastened to the structure by means of fire resistant fixings threaded through fixing tabs.

Any gaps of up to 25mm wide around the pipework should be filled with Rockwool Corofil Acoustic Intumescent Sealant. For gaps greater than 25mm wide Rockwool Corofil Firestop Compound can be used.

Under fire conditions the intumescent material swells filling the void left by the burnt out plastic.

Installation in walls

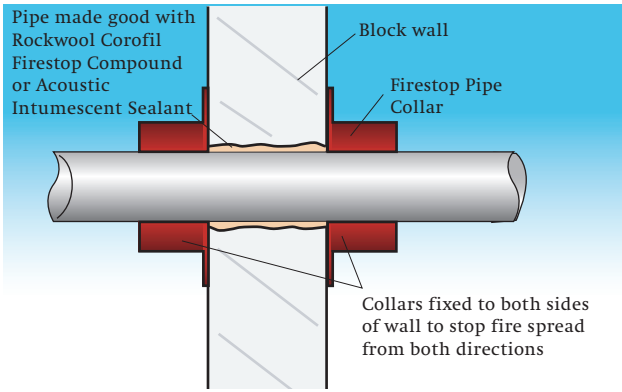
1. Make good wall around plastic pipe with either Rockwool Corofil Acoustic Intumescent Sealant or Firestop Compound.
2. Undo the toggle clip on the Firestop Pipe Collar and open it out.
3. Slide the Firestop Pipe Collar, with its fixing tabs pointing towards the face of the wall, around the plastic pipe.
4. Lock the Firestop Pipe Collar around the pipe closing the toggle clip. Push the Firestop Pipe Collar back on to the wall.
5. Fix the Firestop Pipe Collar to the wall by means of 32mm long steel self-tapping screws, through the fixing tabs.
6. Repeat for the other side of the wall if required.



Rockwool Corofil Firestop Pipe Collars

Installation in floors

1. Make good floor around plastic pipe with either Rockwool Corofil Acoustic Intumescent Sealant or Firestop Compound.
2. Undo the toggle clip on the Firestop Pipe Collar and open it out.
3. Slide the Firestop Pipe Collar, with its fixing tabs pointing up towards the face of the soffit, around the plastic pipe.
4. Lock the Firestop Pipe Collar around the pipe closing the toggle clip. Push the Firestop Pipe Collar back on to the soffit.
5. Fix the Firestop Pipe Collar to the soffit by means of 32mm long steel self-tapping screws, through the fixing tabs



Rockwool Corofil Firestop Pipe Collars fixed to both sides of wall

Fire Rating

Outside diameter of Pipework	Fire Rating in hours
55 – 250mm	2 or 4
275 – 315mm	3
330 – 355mm	1

Suitable for sealing UPVC, Polypropylene, HDPE and ABS plastic

Sizes

Compact Collar Dimensions

To suit pipe Nom O.D. (mm)	Product Reference
55	FC50
82	FC75
110	FC100
160	FC150

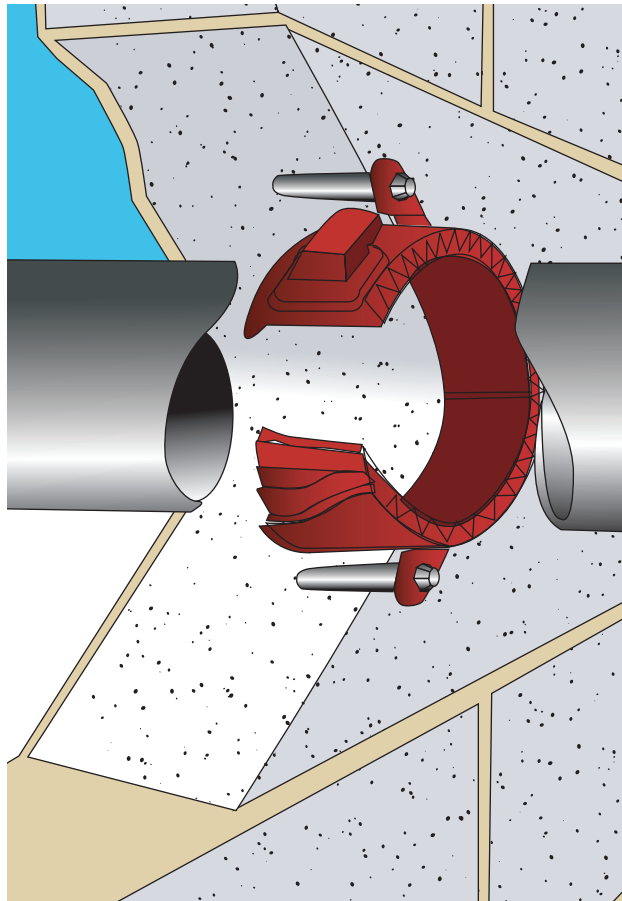
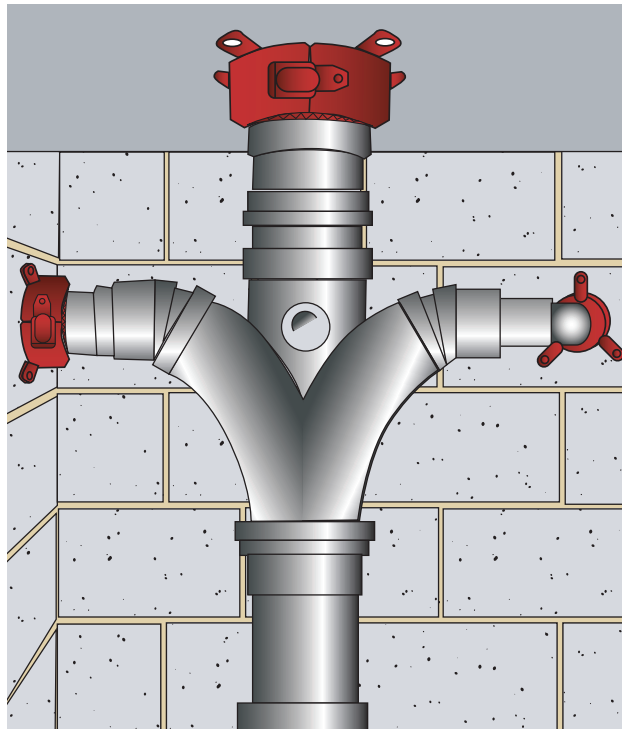
Other sizes available, please contact our Customer Services Department for details.

Specification

Install Rockwool Firestop Pipe Collars to provide up to 1, 2, 3 or 4 hours fire protection to all plastic pipework. Installation to be fully in accordance with manufacturer's instructions. See below for contact details.

Health and Safety

For Health & Safety information on this product please refer to the Health & Safety data sheet available from the Marketing Services Department.



WILHAMS

Wilhams Insulation Far East Sdn Bhd (340166M)
 15 & 17 Jalan U5/23, Seksyen U5
 Mah Sing Integrated Industrial Park
 40150 Shah Alam, Selangor Darul Ehsan, Malaysia
 Tel: 603-7846 6728 Fax: 603-7846 6540
 E-mail: wilhams@wilhams.com.my