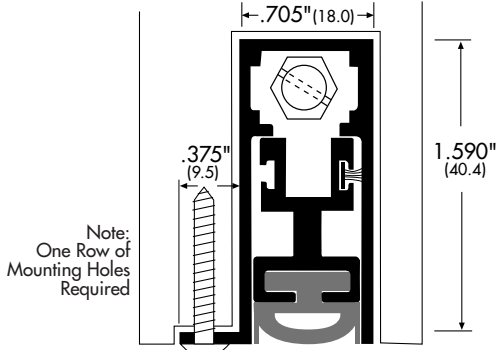


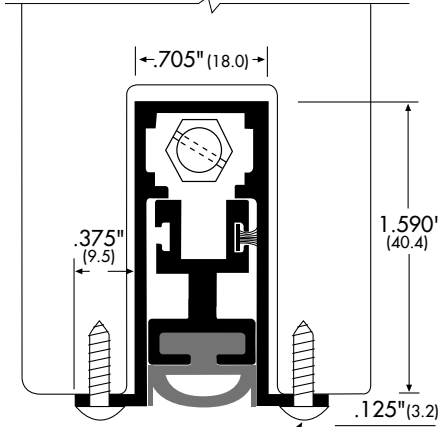
# Sill Protection Automatic Door Bottoms

Note: A = Aluminum AA = Anodized Aluminum  
D = Dr. Bronze Anodized

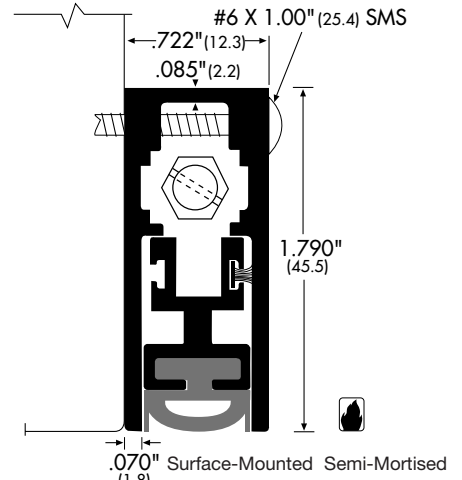
## Regular Duty



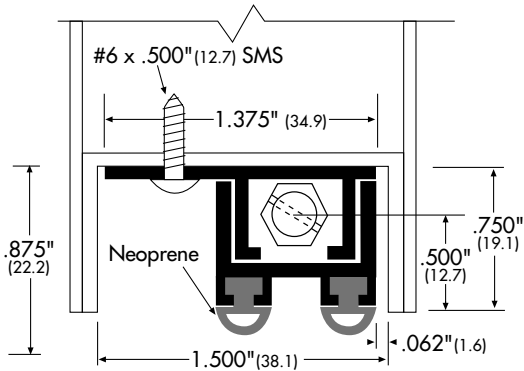
**#340A**  
Mortised, Handed  
For doors under 1.750" (44.5)  
#6 X .750" (19.1) FHSMS



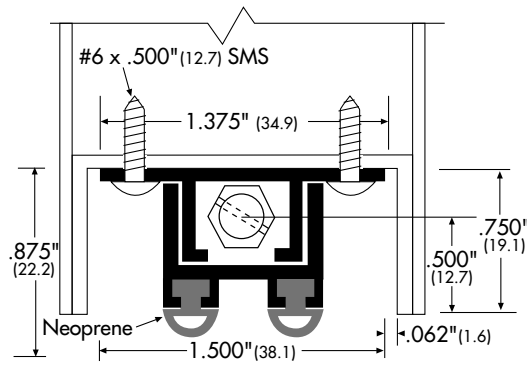
**#350A**  
Mortised  
#6 X .500" (12.7) SMS



**#351AA** Surface-Mounted  
**#351D** Semi-Mortised  
**#352AA**  
**#352D**

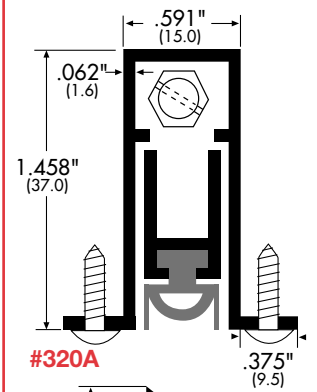


**#354A** Mortised, Handed  
Note: Maximum drop .500" (12.7)

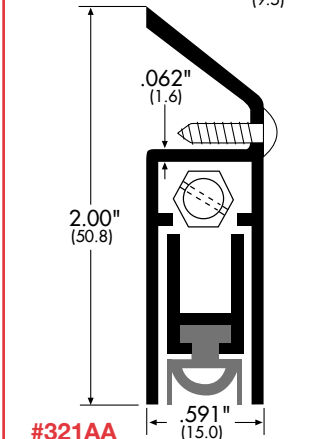


**#355A** Mortised  
Note: Maximum drop .500" (12.7)

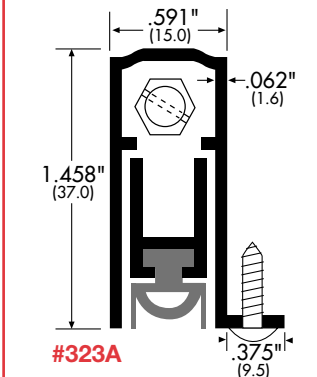
## For Original Equipment Manufacturing Use



**#320A**



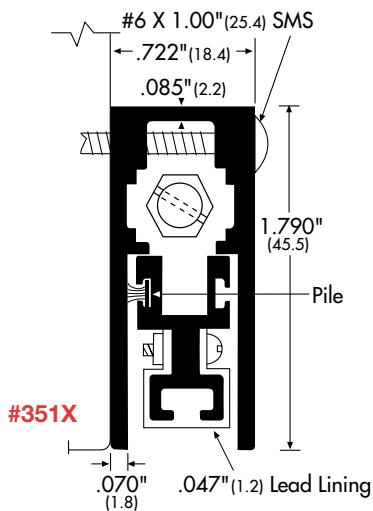
**#321AA**  
**#321D**



**#323A**

## Lead-Lined, Regular Duty Automatic Door Bottom

Used with lead-lined doors and frames to insure complete X-RAY protection. This feature is also good for rodent control and is available in all regular duty surface-mounted, semi-mortised and mortised models. Max. effective drop .250" (6.4). Use X after number to specify lead-lined.



**#351X**

